



**READY TO KNOW
THE UNKNOWN**
IN THE CHEMICAL WORLD,
OMAL IS WITH YOU.

WWW.OMAL.COM

APPLICATION



THE CHEMICAL SERIES



PROCHEMIE



THOR
CASTING
STAINLESS
STEEL



MAGNUM
CASTING
STAINLESS
STEEL



MAGNUM
WAFER



SUPREME



ITEM 424



ARES



AGO
PNEUMATIC
ACTUATORS



RACKON
PNEUMATIC
ACTUATORS

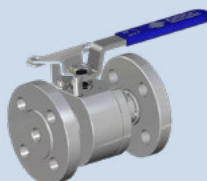


HEAVY DUTY
PNEUMATIC
ACTUATORS

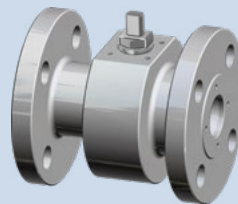
SPECIAL EXECUTIONS



**TANK
BOTTOM**



**REVOLVING
FLANGE**



**ONE-PIECE
BODY**



**TRUNNION
3 WAY**



APPLICATIONS



PAINTING



PETROCHEMICAL



PHARMACEUTICAL



PROCESS INDUSTRY



TECHNICAL DETAILS

PROCHEMIE

SPLIT BODY BALL VALVES FOR CHEMICAL INDUSTRY



SPECIFICATIONS

- Size:**
 - DN 15 ÷ DN 150 [mm]
 - 1/2" ÷ 6" [inch]
- Body material:**
 - 1.4408 Stainless steel
- Available seats:**
 - PTFE Modified
 - PTFE Glass filled
 - PTFE Carbon filled
 - Devlon
 - PEEK
- End connections:**
 - Flanged RF
- Pressure class:**
 - PN 16-40
- Options:**
 - Mono-directional ball
 - Locking device
 - Stem Extension
 - Oxygen use (on request)
- Certifications:**
 - Ex CE/UKCA
 - Pressure Equipment CE/UKCA
 - AD2000 HP0 / A4
 - TA Luft 60000 cycles
 - Fugitive Emission
 - Fire Safe
 - SIL (up to SIL3)

THOR

SPLIT BODY CASTING STAINLESS STEEL BALL VALVES



SPECIFICATIONS

- Size:**
 - DN 15 ÷ DN 200 [mm]
 - 1/2" ÷ 8" [inch]
- Body material:**
 - CF8M s.s. CL 150-300
- End connections:**
 - Flanged RF (on request)
- Pressure class:**
 - ANSI 150-300
- Options:**
 - Locking device
 - Stem Extension
- Certifications:**
 - Ex CE/UKCA
 - Pressure Equipment CE/UKCA
 - TPED
 - SIL (up to SIL3)
 - Fugitive Emission rate A
 - Fire Safe

MAGNUM

CASTING SPLIT WAFER BALL VALVES



SPECIFICATIONS

- Size:**
 - DN 25 ÷ DN 100 [mm]
 - 1" ÷ 4" [inch]
- Body material:**
 - CF8M Stainless steel
- Available seats:**
 - PTFE Modified
 - PTFE Glass filled
 - PTFE Carbon filled
 - PEEK
- End connections:**
 - Flanged RF
- Pressure class:**
 - DN≤40; PN 16-40
 - DN≥50; PN 16
- Options:**
 - Mono-directional ball
 - Locking device
 - Stem Extension
 - Bottom tank
 - Oxygen use (on request)
 - Hydrogen use (on request)
- Certifications:**
 - Ex CE/UKCA
 - Pressure Equipment CE/UKCA
 - SIL (up to SIL3)
 - TA Luft & Fugitive Emission
 - Fire Safe



MAGNUM

WAFER BALL VALVES



SPECIFICATIONS

- Size:**
 - DN 15 ÷ DN 100 [mm]
 - 1/2" ÷ 4" [inch]
- Body material:**
 - A105 Carbon steel
 - 316 Stainless steel
- Available seats:**
 - PTFE Modified
 - PTFE Glass filled
 - PTFE Carbon filled
 - PEEK
- End connections:**
 - Flanged RF
- Pressure class:**
 - ANSI 150-300; PN 16-40
- Options:**
 - Mono-directional ball
 - Locking device
 - Stem Extension
 - Bottom tank
 - Oxygen use (on request)
 - Hydrogen use (on request)
- Certifications:**
 - Ex CE/UKCA
 - Pressure Equipment CE/UKCA
 - SIL (up to SIL3)
 - TA Luft & Fugitive Emission
 - Fire Safe

SUPREME

TRUNNION BALL VALVES



SPECIFICATIONS

- Size:**
 - DN 50 ÷ DN 600 [mm]
 - 2" ÷ 24" [inch]
- Body material:**
 - Carbon steel
 - Stainless steel
- Available seats:**
 - RPTFE
 - Devlon
 - PEEK
- End connections:**
 - Flanged RF / RTJ
- Pressure class:**
 - ANSI 150-2500 (varied by size)
- Options:**
 - BW / SW connection
- Certifications:**
 - Ex CE/UKCA
 - Pressure Equipment CE/UKCA
 - Fire Safe
 - SIL (up to SIL3)
 - Fugitive Emission
 - API6D on request

ITEM 424

3 PIECES STAINLESS STEEL BALL VALVES



SPECIFICATIONS

- Size:**
 - DN 8 ÷ DN 100 [mm]
 - 1/4" ÷ 4" [inch]
- Body material:**
 - CF8M / 1.4408 Stainless steel
- Available seats:**
 - PTFE Modified
 - PTFE Glass filled
 - PTFE Carbon filled
- End connections:**
 - ISO 7/1
 - NPT (ANSI B1.20.1)
- Max pressure:**
 - PN 63
 - 913 PSI
- Options:**
 - BW / SW connection
 - Oxygen use (on request)
- Certifications:**
 - Ex CE/UKCA
 - Pressure Equipment CE/UKCA



ARES

PNEUMATIC ANGLE SEAT VALVES



SPECIFICATIONS

 Size:	<ul style="list-style-type: none">• DN 15 ÷ DN 50 [mm]• 3/8" ÷ 2" [inch]
 Body material:	<ul style="list-style-type: none">• Stainless steel
 Available seats:	<ul style="list-style-type: none">• PTFE Modified• FKM• NBR• EPDM
 End connections:	<ul style="list-style-type: none">• NPT (ANSI B1.20.1)• ISO 7/1• ISO 228-1• Flanged (PN 16 - ANSI 150)• Weld ends• Clamp
 Max pressure:	<ul style="list-style-type: none">• PN 16 - PN 25• 230 - 360 PSI
 Variations:	<ul style="list-style-type: none">• Double acting• Spring return N.C. - N.O.• Manual operated
 Options:	<ul style="list-style-type: none">• Oxygen use (on request)• Namur plate• Limit switch box
 Certifications:	<ul style="list-style-type: none">• Ex CE/UKCA• Pressure Equipment CE/UKCA





AGC®

ALUMINIUM PNEUMATIC ACTUATORS



SPECIFICATIONS

✓ Type:	<ul style="list-style-type: none"> Scotch yoke
♻️ Nominal torque:	<ul style="list-style-type: none"> DA (Double acting): 8 Nm ÷ 8000 Nm 70 in-lbs ÷ 70806 in-lbs SR (Spring return): 15 Nm ÷ 4000 Nm 133 in-lbs ÷ 35403 in-lbs
↗️ Size:	<ul style="list-style-type: none"> DA 8 ÷ DA 8000 SR 15 ÷ SR 4000
🔒 Body material:	<ul style="list-style-type: none"> Aluminium
⚙️ Variations:	<ul style="list-style-type: none"> Double acting Spring return N.C. - N.O.
⚙️ Options:	<ul style="list-style-type: none"> Low temp. version: -50°C / -58°F High temp. version: +150°C / +302°F Adjustable rotation Surface treatments
🏆 Certifications:	<ul style="list-style-type: none"> Ex CE/UKCA SIL (up to SIL3)

RACKON®

RACK & PINION PNEUMATIC ACTUATORS



SPECIFICATIONS

✓ Type:	<ul style="list-style-type: none"> Rack & Pinion
♻️ Nominal torque:	<ul style="list-style-type: none"> DA (Double acting): 10 Nm ÷ 474 Nm 88 in-lbs ÷ 4195 in-lbs SR (Spring return): 15 Nm ÷ 347 Nm 133 in-lbs ÷ 3071 in-lbs
↗️ Size:	<ul style="list-style-type: none"> DA: RK 10 ÷ RK 480 SR: RK 20 ÷ RK 480
🔒 Body material:	<ul style="list-style-type: none"> Aluminium
⚙️ Variations:	<ul style="list-style-type: none"> Double acting Spring return N.C. - N.O.
⚙️ Options:	<ul style="list-style-type: none"> GAS or NPT namur plate Low temp. version: -50°C / -58°F High temp. version: +150°C / +302°F Adjustable rotation Accessories
🏆 Certifications:	<ul style="list-style-type: none"> Ex CE/UKCA SIL (up to SIL3)

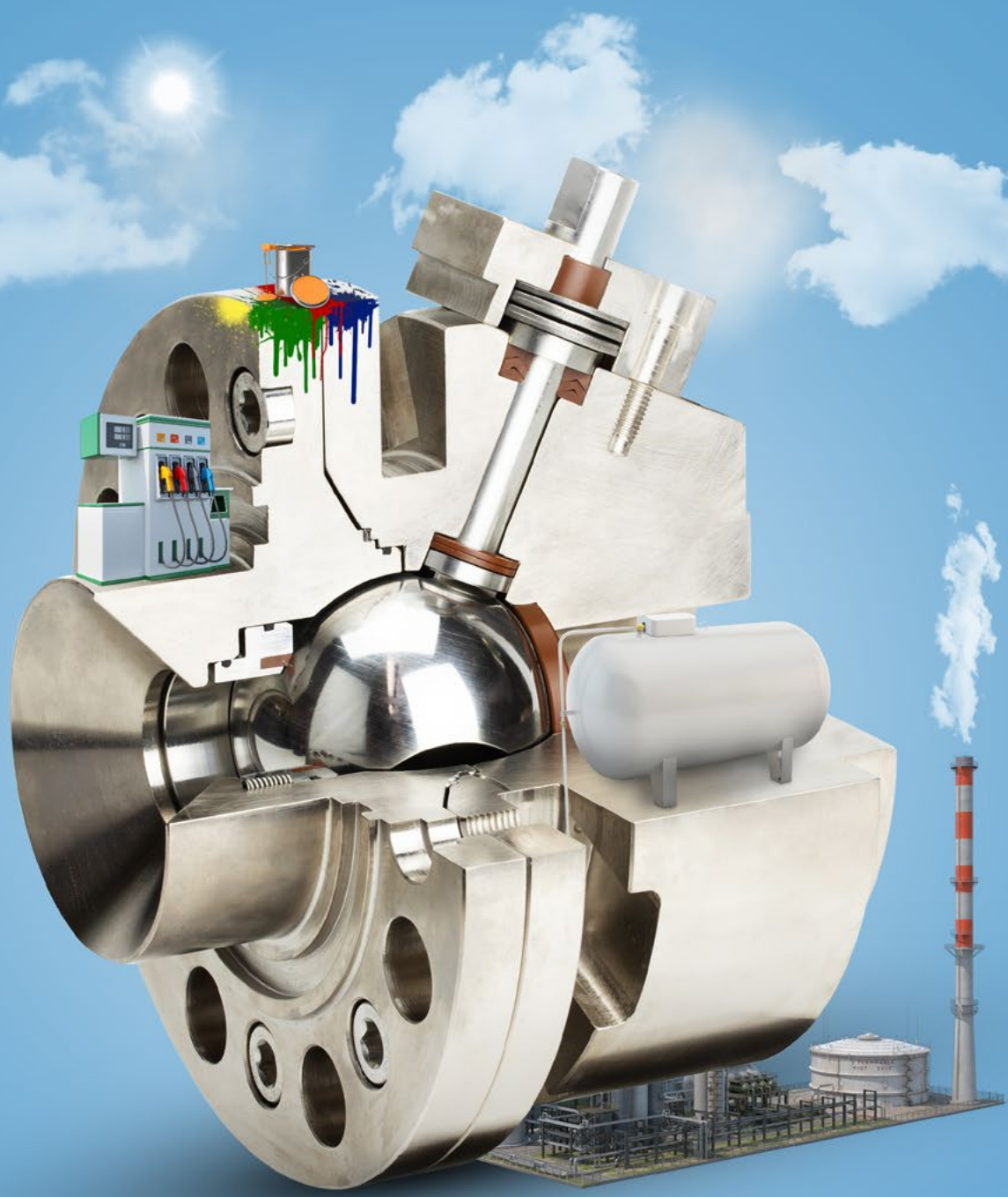
HEAVY DUTY

HEAVY DUTY PNEUMATIC ACTUATORS



SPECIFICATIONS

✓ Type:	<ul style="list-style-type: none"> Scotch yoke
♻️ Nominal torque:	<ul style="list-style-type: none"> 2000 Nm ÷ 32000 Nm 17700 in-lbs ÷ 283224 in-lbs
↗️ Size:	<ul style="list-style-type: none"> 085 - 100 - 130
🔒 Body material:	<ul style="list-style-type: none"> Carbon steel
⚙️ Variations:	<ul style="list-style-type: none"> DA: Double acting SR: Spring return N.C. - N.O.
⚙️ Options:	<ul style="list-style-type: none"> Manual hydraulic override Special painting
🏆 Certifications:	<ul style="list-style-type: none"> Ex CE/UKCA SIL (up to SIL3)



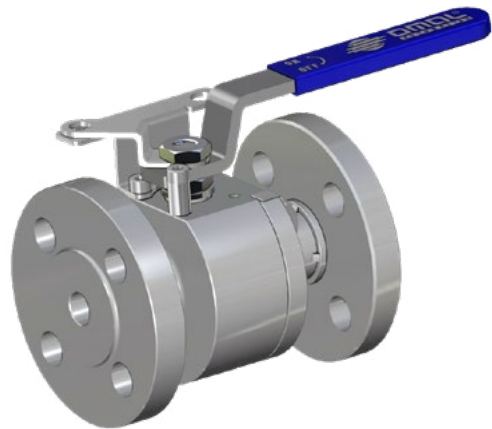


THE CHEMICAL SERIES

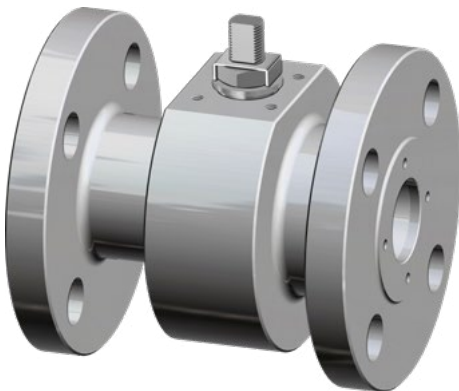
SPECIAL EXECUTIONS



TANK BOTTOM



REVOLVING FLANGE



ONE-PIECE BODY



TRUNNION 3 WAY



OMAL S.p.A. Società Benefit

Headquarter Via Ponte Nuovo, 11 - 25050 Rodengo Saiano (BS), Italy

Production Site Via Brognolo, 12 - 25050 Passirano (BS), Italy

Ph. +39 030 8900145 · Fax +39 030 8900423 · info@omal.it

OMAL USA Corp.

1835 Airport Exchange Blvd, Suite 100- 41018 Erlanger, (Kentucky), USA

Ph. +1 (859) 900-2108 · info@omal.com

OMAL Asia Pacific Ltd.

26/73, Moo 7, Racha Thewa Sub-district, Bang Phli District,
Samut Prakan Province, (Bangkok), Thailandia

Ph. 02-117-1188 · info@omal.co.th

www.omal.com